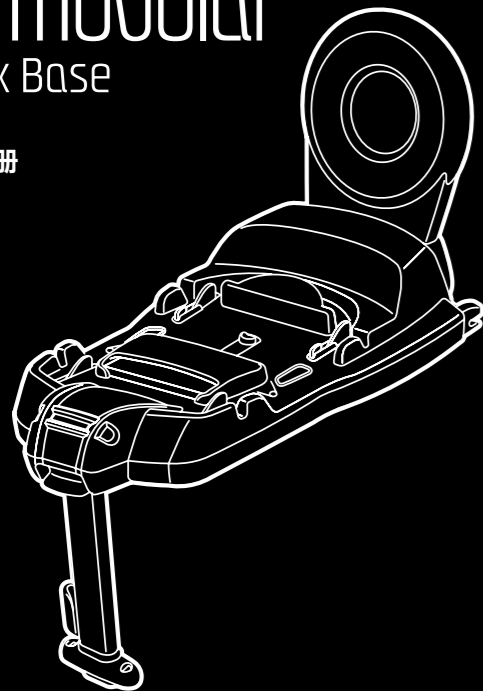


BeSafe®

izi Modular™
ISOfix Base

用户手册



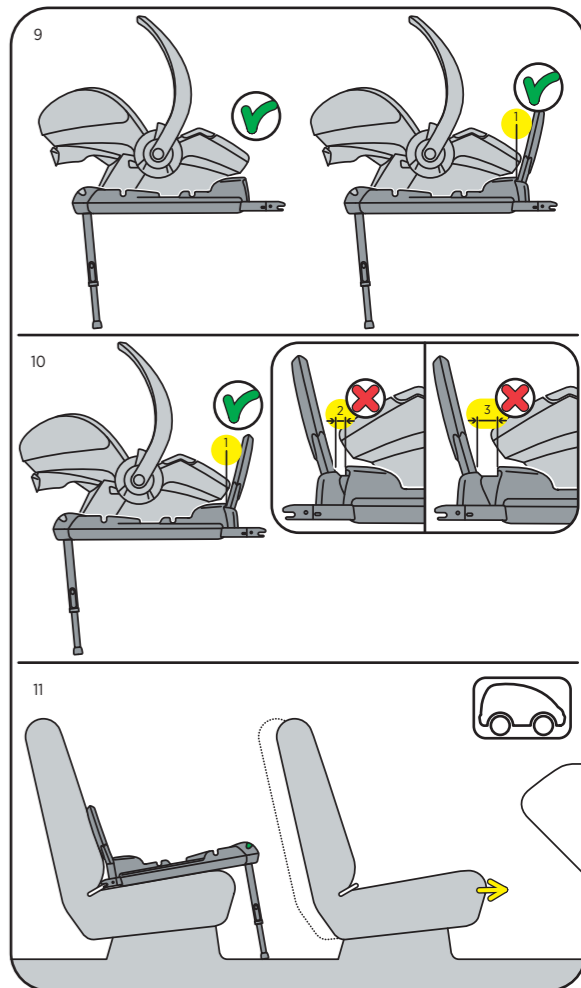
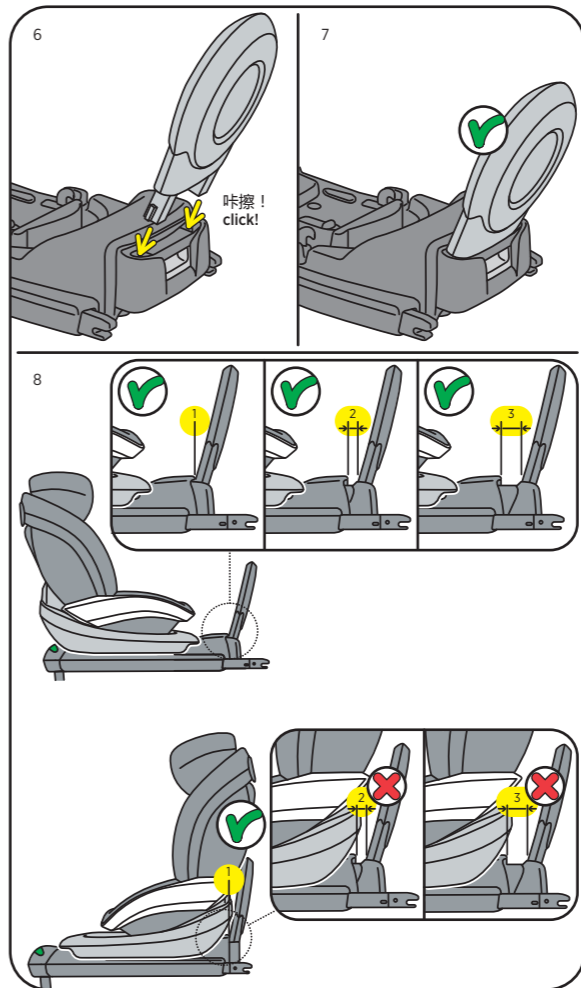
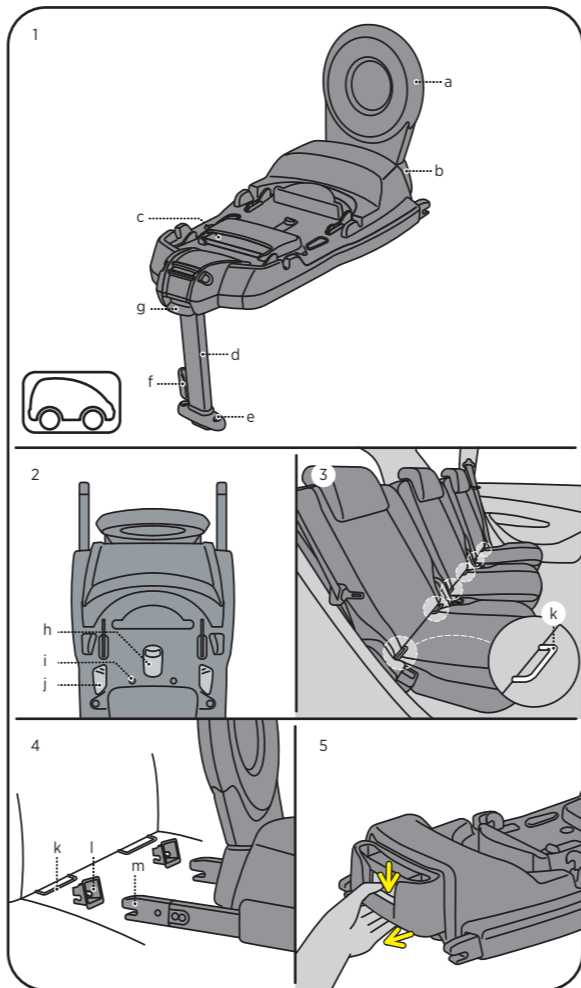
GB27887-2011

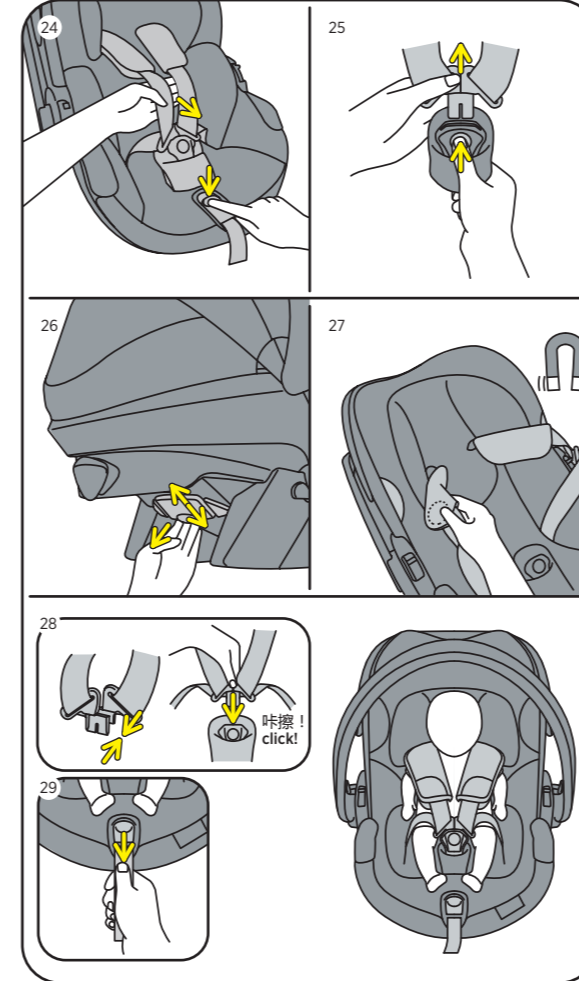
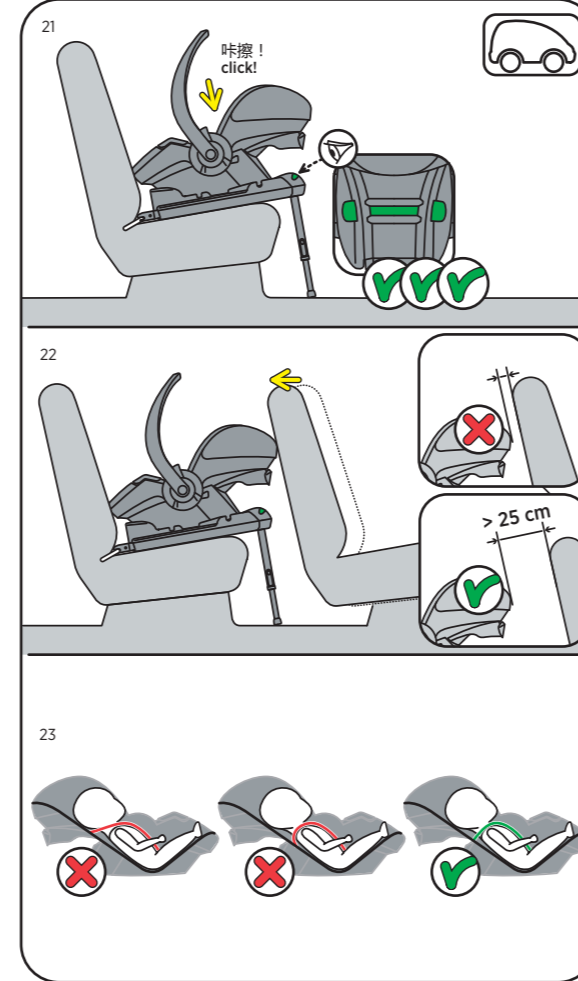
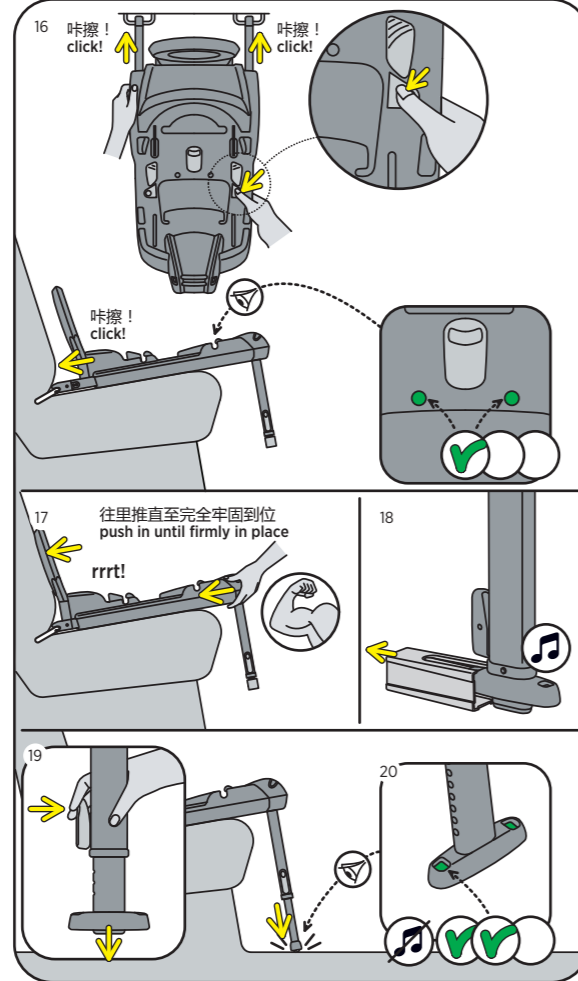
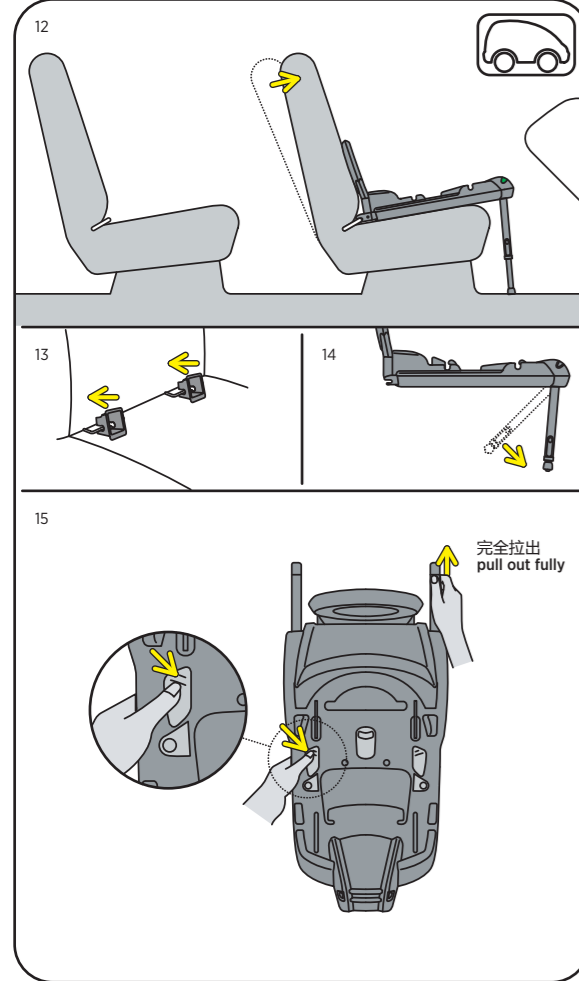
SCANDINAVIAN
SAFETY



8

19





谢谢选用BeSafe公司的iZi Modular ISOfix Base(基座)产品

! 请在安装您的座椅之前务必阅读此用户手册。错误的安装可能给您的孩子造成危险。

本产品为iZi Modular ISOfix Base, 可以搭配iZi Go Modular使用, 亦可配合iZi Modular ISOfix使用, 使用搭配情况如下:



- 搭配iZi Go Modular
- 后向安装
- ISOfix尺寸类别
- ISO/R2, D类
- 半通用类
- 适用组别: 0+组
- 适用体重: 0-13公斤
- 适用身高: 40-75厘米
- 适用年龄: 出生-约12个月
- 请查阅此用户手册



- 搭配iZi Modular ISOfix
- 后向安装
- ISOfix尺寸类别
- ISO/R2, D类
- 半通用类
- 适用组别: 0+1组
- 适用体重: 0-18公斤
- 适用身高: 61-105厘米
- 适用年龄: 约6个月-4岁
- 具体请查阅iZi Modular ISOfix 用户手册说明



- 搭配iZi Modular ISOfix
- 前向安装
- ISOfix尺寸类别
- ISO/F2X, B1类
- 半通用类
- 适用组别: 1组
- 适用体重: 9-18公斤
- 适用身高: 88-105厘米
- 适用年龄: 约9个月-4岁
- 具体请查阅iZi Modular ISOfix 用户手册说明

BeSafe建议尽可能后向使用该安全座椅。

iZi Modular ISOfix Base(基座)搭配iZi Go Modular 使用提示:

! 重要信息

- 这是ISOFIX儿童约束系统。符合GB27887-2011。用于装有ISOFIX固定装置的车辆。
- 该系统依据儿童约束系统类别和固定装置的种类, 安装在ISOFIX固定的位置(按照车辆手册的描述)。
- 打算安装的ISOFIX儿童约束系统适合的质量组及ISOFIX尺寸类别为: 质量组: 0+组 ISOFIX尺寸类别: ISO/R2, D类

这是“半通用类”儿童约束系统, 符合GB27887-2011。

此儿童约束系统符合“半通用类”应用, 适合安装在下列汽车座椅位置:

车型	前排	后排
		外侧 中间
(详见车型清单)	是	是 否

其它的汽车座椅位置也可能适合安装此儿童约束系统。如有疑问, 请咨询儿童约束系统制造商或零售商。

- 后向安装警告: 严禁将儿童座椅安装于配置有安全气囊的汽车前排座椅上, 可能发生死亡或严重伤害。
- iZi Modular ISOfix Base (基座) 只能安装于配备有ISOfix接口的汽车上。
- 注意: 必须要始终使用地面支撑, 确保地面支撑完全推下直到接触汽车座椅前面的汽车地面, 且地面支撑的显示器必须显示绿色。
- 安装前请仔细阅读汽车制造商手册中有关ISOFIX固定点的说明, 确保汽车的ISOFIX固定装置系统满足 GB14167-2013的要求。
- 如需确定合适的汽车座位, 请查阅汽车使用手册。
- 请阅读《适用的车型清单》以确认您的汽车型号是否适于使用这款儿童安全座椅。
- 空置的iZi Modular ISOfix Base 搭配 iZi Go Modular使用时(请勿随意拆解此产品的任何刚性部分和塑料件部件), 请依照本使用说明书安装信息, 始终将其牢固固定在汽车内, 以保障在正常的车辆使用中, 该产品使用时不被车里的活动座椅或车门卡住。
- 搭配使用的iZi Go Modular为0+组产品, 适用于身高为约40-

75cm, 最大体重为13kg的婴儿(年龄参考: 从出生到12个月左右)

- 搭配使用的iZi Go Modular产品肩垫含有磁铁, 磁铁可能影响电子设备, 如起搏器。
- 每次使用之前, 请确保搭配使用的iZi Go Modular内置安全带没有损坏或者扭曲。
- 当您孩子在此儿童汽车安全座椅内, 搭配使用的iZi Go Modular内置安全带约束系统必须要始终锁紧。
- 请确保在您孩子和搭配使用的iZi Go Modular内置安全带之间只能容易下1个指头的距离 (1cm)。
- 当孩子高于60cm或者大于6个月时, 请移除搭配使用的iZi Go Modular的婴儿软垫 (底部)。
- 当孩子高于65cm或者大于6个月时, 请移除婴儿软垫 (底部) 以及靠垫 (上部)。
- 非常重要, 请保证腰带佩戴时能很好的约束骨盆部位。
- 车祸事故后, 必须更换儿童汽车安全座椅。虽然它看上去并无任何损坏, 但是车祸事故一旦再次发生, 该座椅可能无法完全发挥该有的保护儿童的作用。
- 请特别注意, 没有认证认可的产品和经过改装的产品是危险的, 并且附近没有制造商提供的装说明书也是危险的。
- 不要试图拆除、修改或添加任何部件到安全座椅上。如果使用非原厂的零件或配件, 保修将自动失效。
- 如果儿童座椅的表面覆盖层不是织物, 请确保儿童座椅需要远离日光照射, 否则儿童座椅表面会烫伤儿童。
- 请保护孩子暴露在太阳底下的身体每一部分。
- 严禁在无任何成人看管的情况下将孩子单独放在儿童汽车安全座椅内。
- 确认汽车里的所有乘客都知道如何把您的孩子从安全座椅里取出来, 以防万一出现紧急情况。
- 确定所有的行李及其他物品都安全地摆放好。没有安全摆放好的行李会在车辆事故中对成人及儿童造成的严重地伤害。
- 请勿使用没有面套的儿童汽车安全座椅。请只使用BeSafe的原厂面套, 不能使用除制造商推荐的材料以外的其他材料, 面套材料影响儿童汽车安全座椅总体的性能。
- 搭配使用的iZi Go Modular面套下面使用的是EPS泡沫。不要用力推或拉泡沫, 因为这可能对其造成损坏。
- 严禁使用任何腐蚀性清洁产品, 因为这些产品可能会损害儿童汽车安全座椅的组成材料。
- BeSafe建议不应购买二手或以二手物品出售儿童安全座椅。
- 请把该用户手册与安全座椅保存在一起备以后使用。
- 请勿使用本产品超过七年。由于老化, 材料的质量可能会发生改变。

准备安装

- 前支架 (1a)
- 前支架箱 (1b)
- 用户手册 (1c)
- 地面支撑 (1d)
- 地面支撑高度显示器 (1e)
- 地面支撑的高度调节器 (1f)
- 座椅释放手柄 (1g)
- ISOfix接头释放开关 (2h)
- ISOfix 指示器 (2x) (2i)
- ISOfix接头开关 (2X) (2j)
- 汽车ISOfix接口 (3k)
- ISOfix 嵌插夹 (2x) (底部) (4l)
- ISOfix接头 (2x) (4m)

iZi Modular ISOfix Base(基座)的安装

- 前支架和基座不是配套销售。iZi Go Modular可以在不带前支架的基座上使用。

- !** 警告: 当和iZi Modular ISOfix配套使用时, 前支架必须要装在基座上。拉开前支架箱后, 将前支架安装在基座的两个孔位, 听到: click 咔嚓! 前支架只和iZi Modular ISOfix配套销售 (当您想将iZi Modular ISOfix用于另外一个基座上, 前支架可用做配件)。(5,6,7)
1. 当您想增加孩子在车内的腿部空间, 您可以在安装前拉开前支架箱。只可以在iZi Modular ISOfix 安全座椅后向安装且被汽车座椅或仪表盘支撑着的时候, 使用该功能。(8)
 2. 前支架一旦安装在基座上, 必须要保持。iZi Go Modular亦可以用在装有前支架的基座上。(9) 当和iZi Go Modular配套使用时, 前支架必须要处于位置1。(10)
 3. 只有当您想平放该基座时才能取下前支架。用工具推前支架箱侧面的孔位, 往上拉前支架, 即可取下前支架。应该完成一边的操作, 然后再进行另一边的操作。
 4. 当在汽车后排座椅安装该安全座椅, 请将前排座椅尽可能往前推。(11)
 5. 当在汽车前排座椅安装该安全座椅, 请将前排座椅靠背调至直立位置。(12)
 6. 如果您的汽车没有配备ISOfix嵌插夹, 请把我们的嵌插夹插进去便于安装。(13)
 7. ISOfix嵌插夹在基座底部。
 8. 当抬起基座时, 地面支撑应该往下打开。请于车外完成该操作。(14)

- 按下基座上任一灰色ISOfix释放按钮，ISOfix接头会出现在基座后面。将ISOfix接头往外完全拉出。(15)
- 将基座放在汽车座椅上。将基座的ISOfix接头插入汽车座椅的ISOfix接口，听到：click 咔嚓！Click 咔嚓！。确保所有ISOfix指示器都显示绿色。(16)
- 在安装时，按下至少其中一边灰色ISOfix释放按钮前的标识区域，可防止ISOfix接头滑进去。(16)
- 将基座往汽车座椅靠背推，直到完全牢固并到位。(17)
- 将地面支撑的盖子移除会响起警报声。当安全座椅正确安装，地面支撑和汽车地面接触，警报声就会停止。(18)
- 调节地面支撑使之与车辆地面接触。(19)
- 当地面支撑和地面接触时，高度显示器显示绿色。(20)
- 当地面支撑显示绿色且和汽车地面接触，警报声停止。(20)

将iZi Go Modular安装在iZi Modular ISOfix Base(基座)上

- 检查ISOfix指示器和地面支撑显示器是否显示绿色。(20)
- 将iZi Go Modular放置于iZi Modular ISOfix Base(基座)上正确的位置，直到它卡入基座（听到：click 咔嚓！）以及前面的指示器显示绿色。(21)
- 让iZi Go Modular提手处于提起位置。(21)
- 当安全座椅安装在汽车的后排座位，如可以，您应该将前排座椅往后推至与安全座椅接触。如不能推至与安全座椅接触，将前排座椅的靠背尽可能往前推。(22)

放置小孩在iZi Go Modular内

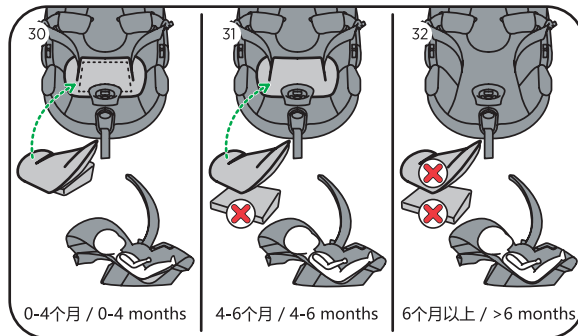
! 警告：因我们的产品是搭配使用，在您放置小孩之前，也请仔细阅读iZi Go Modular通用类说明书上有关准备安装的图示和描述信息。

- 肩带的位置：检查肩带槽是否与您孩子的肩膀齐平。(23)
- 按下中央调节器按钮，把肩带往上拉。(24)
- 打开胯部安全带扣。(25)
- 通过上下拉座椅后面的释放手柄，可调节肩带以及枕头的高度。(26)
- 当将孩子放在座椅上，可将安全带肩带放置于座椅两侧的标识位置，磁铁可以使安全带保持打开状态。(27)
- 放好孩子时，请把内置肩带拉过孩子的肩膀，并锁上安全带扣：咔嚓！(28)
- 按照黄色箭头方向，通过中央调节器将内置安全带径直往上/往前拉，一直拉到安全带舒服紧贴为止。(29)
- 您可以撑开遮阳篷，免得孩子晒太阳。

iZi Go Modular的婴儿软垫使用说明

婴儿软垫给小宝贝提供额外的舒适。当小孩长大，可调节婴儿软垫的厚度。

- 0-4个月(30)
- 4-6个月(31)
- 6个月+(32)



! 提示：因我们的产品是搭配使用，如需取下iZi Go Modular的布套和重新套上布套以及清洁说明，请仔细阅读iZi Go Modular通用类用户手册中有关此部分的描述。

从汽车上移除iZi Modular ISOfix Base(基座)

- 从汽车座椅上移除基座，您必须要往前拉中央灰色ISOfix释放开关，两侧的ISOfix接头均会打开(2h)。
- 当移除基座较难实现时，可在拉中央灰色ISOfix释放开关的同时将基座往汽车座椅靠背推。

! 警告：可能被滥用

- 在后向安装时儿童约束系统不能安装在装有安全气囊的位置上。
- 必须严格确保一直使用地面支撑。确保地面支撑完全被推到底。
- 安装ISOfix座椅时：在您启动车辆前务必确保指示器呈绿色。



销售点信息

这是iZi Go Modular 搭配iZi Modular ISOfix Base, 适用婴儿体重0-13kg, 后向式ISOFIX固定安装系统的使用介绍。

担保

- 如此产品在购买后24个月之内除外罩及全背式安全带外，因制造或材料问题而出现任何问题，则请直接退回到原购买点。
- 只有在您正确使用并妥善照顾您的座椅时，该担保才有效。请联系您的经销商，他将决定您的产品是否需要退回原厂接受维修。无法实施更换或退回。保修无法通过维修延期。
- 出现下列情况，则保修自动失效：没有收据、因使用不当所造成的损坏、因滥用、误用或过失所造成的损坏。

BeSafe®
SCANDINAVIAN
SAFETY



符合中华人民共和国
《机动车儿童乘用约束系统》标准

HTS BeSafe as
N-3535 Krøderen, Norway - www.besafe.com

UN regulation no. R129 i-Size

Notice: This is an "i-Size" Child Restraint System. It is approved to Regulation No. 129, for use in, "i-Size compatible" vehicle seating positions as indicated by vehicle manufacturers in the vehicle users' manual. If in doubt, consult either the child restraint manufacturer or the retailer.

N2002478
2016.06.24

BeSafe®

izi Modular™
ISOfix Base

USER MANUAL



GB27887-2011

SCANDINAVIAN
SAFETY

Thank you for choosing BeSafe iZi Modular ISOfix base

- ! It is important that you read this user manual BEFORE installing your seat. Incorrect installation could endanger your child.

This is the iZi Modular ISOfix base, which can be used in combination with iZi Go Modular, and in combination with iZi Modular:



- With iZi Go Modular
- Rearward Facing Installation
- ISO/R2, Class D
- Semi-Universal
- Group 0+
- Weight: 0-13kg
- Stature: 40-75cm
- Age: New born-12m (Approx.)
- Please read this User Manual



- With iZi Modular ISOfix
- Rearward Facing Installation
- ISO/R2, Class D
- Semi-Universal
- Group 0+ 1
- Weight: 0-18kg
- Stature: 61-105cm
- Age: Approx. 6m-4y
- Please read iZi Modular ISOfix User Manual for details

BeSafe recommends to use the seat for as long as possible in the rearfacing position.



- With iZi Modular ISOfix
- Forward Facing Installation
- ISO/F2X, Class B1
- Semi-Universal
- Group 1
- Weight: 9-18kg
- Stature: 88-105cm
- Age: Approx. 9m-4y
- Please read iZi Modular ISOfix User Manual for details

iZi Modular ISOfix Base in combination with iZi Go Modular Usage NOTICE

! Vital information

- This is a semi-universal ISOfix Child Restraint System. It is approved to GB27887-2011 for general use in vehicles fitted with ISOfix anchorage systems.
- It will fit vehicles with positions approved as ISOfix positions (as detailed in the vehicle handbook), depending on category of the child seat and of the fixture.
- The mass group and the ISOfix size class for which this device is intended: Group 0+ , ISO/R2, CLASS D

This is "Semi-Universal" Child restraint system, it is approved according to GB27887-2011.

This child restraint is classified for 'Semi-universal' use and is suitable for fixing into the seat positions of the following cars:

_____ CAR _____	_____ FRONT _____	_____ REAR _____
	_____ Outer _____	_____ Centre _____
(Model)	Yes	Yes No

Seat positions in other cars may also be suitable to accept this child restraint. If in doubt, consult either the child restraint manufacturer or the retailer.

- Rearward Facing installation warning: It is NOT ALLOWED to mount the seat in a front passenger seat WITH AN ACTIVATE AIRBAG. DEATH OR SERIOUS INJURY CAN OCCUR.
- iZi Modular ISOfix Base can only be installed in a car equipped with ISOfix anchorage points.
- IMPORTANT: the floor support must always be used. Make sure that the floor support is fully pushed down until it touches the floor of the vehicle in front of the seat and that the indicators on the floor support are always showing green.
- Please read the vehicle manufacturer handbook carefully about the ISOFIX positions before any installation to make sure the



ISOFIX anchorage system is in accordance with GB14167-2013 requirement.

- For the suitable positions in the car, read the vehicle handbook.
- Read the car list to find out whether your car model is approved for this seat.
- When no child in the iZi Go Modular in combination with iZi Modular i-size base (please do not remove any of the product rigid items and plastic parts), please follow up this instruction manual and always fasten the seat into the vehicle tightly, make sure during daily use of the vehicle, iZi Go Modular will not be trapped by movable seat or in a door of the vehicle.
- In combination with iZi Go Modular, which is approved as Group 0+, for children with a stature height from 40 to 75cm, with a max. Weight of 13kg (Age reference is from new born to approximately 12months old).
- The shoulder pads of iZi Go Modular, contain magnets. Magnets can influence electronic equipment such as pacemakers.
- Before every use, make sure the harness of iZi Go Modular is not damaged or twisted.
- The harness straps of iZi Go Modular must always be locked when the child is in the seat.
- Make sure you can fit no more than one finger between the harness and your child (1 cm).
- Remove the baby cushion (bottom part) of iZi Go Modular when the child is taller than 60 cm, or over 4 months.
- Remove the baby cushion (bottom part) and body hugger (upper part) of iZi Go Modular when the child is taller than 65 cm, or over 6 months.
- It is important to make sure any lap strap is worn low down, so that the pelvis is firmly engaged.
- After an accident, the seat must be replaced. Although it may look undamaged, if you were to have another accident, the seat may not be able to protect your child as well as it should.
- Please be aware that it is dangerous to make any alternations or additions to the device without the approval of the Type Approval Authority. It is also dangerous to not follow closely the installation instructions provided by the child seat manufacturer.
- DO NOT attempt to dismantle, modify or add any part to the seat. Warranty will be void if non-original parts or accessories are used.
- When the child seat is not provided with a textile cover, please keep the child seat away from sunlight, otherwise it may be too hot for the child's skin.

- Protect any part of the child's body which is exposed to the sun.
- Never leave your child unattended in the seat.
- Make sure all passengers are informed about how to release your child in case of emergency.
- Make sure luggage or other objects are properly secured. Unsecured luggage may cause severe injuries to children and adults in case of accidents.
- Never use the seat without the cover. The cover is a safety feature and may only be replaced by an original BeSafe cover.
- Under the fabric cover of iZi Go Modular we use EPS foam. Do not push or pull too hard against the foam, since you might damage the foam.
- Do not use any aggressive cleaning products; these may harm the construction material of the seat.
- BeSafe advises that child seats should not be bought or sold second-hand.
- KEEP this user manual for later use with the seat.
- DO NOT use the seat for longer than 7 years. Due to ageing, the quality of the material may change.

Preparing to install

- Front brace (1a)
- Front brace box (1b)
- User manual (1c)
- Floor support (1d)
- Floor support height indicator (1e)
- Height adjuster floor support (1f)
- Seat release handle (1g)
- ISOFix release switch (2h)
- ISOFix indicators (2x) (2i)
- Switch for ISOFix connectors (2x) (2j)
- ISOFix car anchorage (2x) (3k)
- ISOFix insertion clips (2x) (under side) (4l)
- ISOFix connectors (2x) (4m)

Installation of the iZi Modular ISOfix Base

- The frontbrace is not delivered pre-installed in the base. The iZi Go Modular can be used on a base without the front brace.

- !** Warning: When used in combination with the iZi Modular ISOfix, the front brace must be installed on the base. Install the brace in the two openings until it clicks, after pulling out the front brace box. The frontbrace is delivered only with iZi Modular ISOfix (and available as accessory in case you want to use a second base for iZi Modular ISOfix). (5,6,7)
1. When you want to enlarge the available leg room for the child in the car, you can pull out the front brace box before installation. Use this possibility only when the iZi Modular ISOfix seat is in rearfacing position and when the seat is supported by a vehicle seat or dashboard in front of the car seat. (8)
 2. The frontbrace has to remain on the base once it is installed. The iZi Go Modular can also be used on a base with the front brace installed. (9) When used in combination with iZi Go Modular, the frontbrace has to be in position 1. (10)
 3. Only disconnect the front brace when you want to transport the base flat. To disconnect the front brace, you have to pull the front brace upwards, while you push with a tool in the hole at the side of the front brace box. This should be done first on one side and then the other side.
 4. When installing in the back seat of the vehicle, push the front seat of the vehicle forward as far as possible. (11)
 5. When installing in the front seat of the vehicle, adjust the back rest into an upright position. (12)
 6. If your vehicle is not equipped with ISOfix insertion clips, insert these to make installation easier. (13)
 7. ISOfix insertion clips are underneath the base.
 8. When the base is lifted the floor support should fall downwards from underneath the base. Do this outside the car. (14)
 9. Push down one of the grey ISOfix releases on top of the base. The ISOfix connectors will appear at the back of the base. Pull the ISOfix connectors fully out. (15)
 10. Position the base on the vehicle seat. Click the ISOfix connectors on to the ISOfix points on the vehicle seat. Make sure that both ISOfix indicators are green. (16)
 11. During installation, you can prevent the ISOfix connectors from sliding in, by pushing at least on one side on the marked area in front of the grey isofix release switch. (16)

12. Push the base against the backrest of the vehicle seat until it is firmly in place. (17)
13. Remove the yellow cap from the floor support. The alarm sound will stop when the seat is installed correctly with the floor support in contact with the floor of the vehicle. (18)
14. Adjust the floor support, so it is in contact with the floor of the vehicle. (19)
15. The height indicator of the floor support shows green when the floor support is in contact with the floor. (20)
16. The alarm sound stops when the floor support indicators show green and it is in contact with the floor. (20)

Install iZi Go Modular on the iZi Modular ISOfix Base

1. Check if the ISOfix and floor support indicators on the base are green. (20)
2. Position the seat in the correct position on the base until it clicks with the base and the indicator at the front shows green. (21)
3. Leave the carrying handle up in the carrying position. (21)
4. When the seat is positioned rearfacing on the back seat of the vehicle, you should, if possible, push the front seat of the vehicle backwards, so that it is in contact with the child seat. If it is not possible to obtain contact with the child seat, push the back rest of the front seat of the vehicle forward as far as possible. (22)

Positioning of the child into iZi Go Modular

- !** WARNING: When iZi Go Modular ISOfix base is used in combination with iZi Go Modular, please also read the iZi Go Modular Universal instruction manual.
1. Check that the shoulder strap slots are level with your child's shoulders. (23)
 2. Pull the shoulder straps up while pressing the button of the central adjuster. (24)
 3. Open the harness buckle. (25)
 4. The height of the shoulder straps and the head cushion can be adjusted by pulling the release handle upwards at the back of the seat and pulling the handle up or down. (26)
 5. Position the shoulder straps over the marking at the sides of the seat to use the magnets to keep the harness open while you

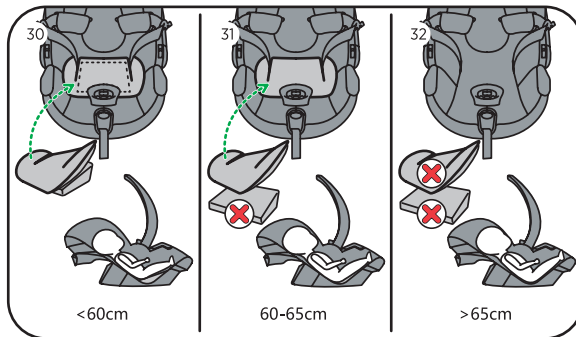
position the child. (27)

6. When the child is positioned, place the shoulder straps over the child's shoulders and close the buckle: CLICK! (28)
7. Pull the harness strap through the central adjuster in the direction of the yellow arrow straight up/forwards. Continue pulling until the harness is a comfortable but a firm fit. (29)
8. You can protect your child against the sun by raising the sun canopy.

Baby cushion of iZi Go Modular

The baby cushion offers extra comfort for young babies. As baby grows the thickness of the baby cushions can be adjusted.

- 0-4 m (30)
- 4-6 m (31)
- 6 m + (32)



- !** NOTICE: When the iZi Modular ISOfix Base is used in combination with iZi Go Modular and the fabric cover of iZi Go Modular needs to be removed, refitted or cleaned, please carefully read the iZi Go Modular Universal user manual.

Removal of the base from the vehicle

1. To remove the base from the vehicle, you have to slide the central grey ISOfix release switch towards the front (2h). Both isofix connectors will release from the vehicle
2. If removal is difficult, it can help to push the base towards the backrest of the vehicle, while pulling the ISOfix release switch.

! Warning: potential misuse

- The child seat MUST NOT be installed in a front passenger seat WITH AN ACTIVATED AIRBAG.
- The floor support must always be used. Make sure that the floor support is fully pushed down.
- When used in combination with iZi Modular the front brace must be fitted on the base.
- Make sure the indicators are green before you drive.



Point of sale information

This is iZi Go Modular (0+) in combination with iZi Modular ISOfix Base, ISOFIX System & Rearward facing installation from 0-13kg, Semi-Universal category user manual introduction.

Guarantee

- Should this product prove faulty within 24 months of purchase due to materials or manufacturing fault, except covers and harness straps, please return it to the original place of purchase.
- The guarantee is only valid when you use your seat appropriately and with care. Please contact your retailer, they will decide if the seat will be returned to the manufacturer for repair. Replacement or return cannot be claimed. The guarantee is not extended through repair.
- The guarantee expires: when there is no receipt, when defects are caused by incorrect and improper use, when defects are caused by abuse, misuse or negligence.

BeSafe®

SCANDINAVIAN
SAFETY



符合中华人民共和国
《机动车儿童乘员用约束系统》标准

HTS BeSafe as
N-3535 Krøderen, Norway - www.besafe.com

UN regulation no. R129 i-Size

Notice: This is an "i-Size" Child Restraint System. It is approved to Regulation No. 129, for use in, "i-Size compatible" vehicle seating positions as indicated by vehicle manufacturers in the vehicle users' manual. If in doubt, consult either the child restraint manufacturer or the retailer.

N2002478
2016.06.24